

PROFIK PUMPS

Excellent Pumping Solutions for High Viscous Fluids

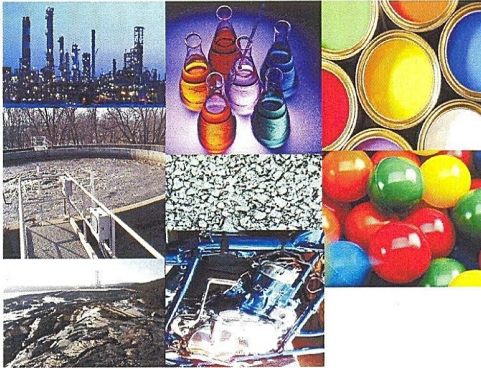


PLB SERIES

ROTARY LOBE PUMPS

INDUSTRY PUMP

Oil
Waste Water
Sludge
Chemicals
Asphalt
Excretions
Paints
Polymers



SANITARY PUMP



APPLICATION

Dairy
Bakery
Meats
Canned Foods
Beverages
Candy
Flavourings
Dressings
Cosmetics
Drugs
Syrup
Cream

Typical Characteristics:

Front Loading, Seals, Gentle Product Handling, Dry Running Ability, Efficient Transport and Dosing, Handles Low & High Viscosity Products
Outstanding Operation & Efficiency, Simple Maintenance, Hygienic Design, Low Sound Level

1 AISI 316 STAINLESS STEEL COVER

- Quick and easy dismantling
- Easy access to seals
- Easy to clean
- Flat reversible cover

2 TRI LOBE ROTOR AISI 316 STAINLESS STEEL

- Easy to mount
- Accurate positioning with no risk of mechanical error
- Hygienic
- No retention zone

3 ROTOR SCREWS

- 316 Stainless Steel
- Efficient locking

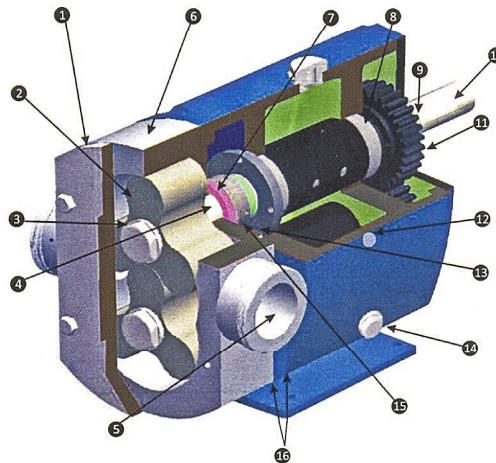
4 SPLINED SHIFT

- Enhanced distribution of stress
- Reduced wear

5 ALL PARTS IN CONTACT WITH PUMPED FLUID IN AISI 316 STAINLESS STEEL DESIGNED FOR EASY CLEANING WITH CIP PROCESSES

6 AISI 316 STAINLESS STEEL BODY

Standard surface finish



7 FRONT-LOADED MECHANICAL SEALS
Reduced maintenance and downtime

8 OVER-DIMENSIONED FRONT BEARINGS
• Heavy loads supported

9 ROBUST RELIABLE SYSTEM REAR BEARINGS
• High speeds supported

10 INTERCHANGEABLE DRIVE/DRIVEN SHAFTS

11 HELICAL GEARS
• More accurate synchronisation
• Low noise
• Easy adjustment
• Longer lifetime

12 OIL LEVEL VIEWING POINT
13 Anti-splash casing protection disc

14 Drainage outlet

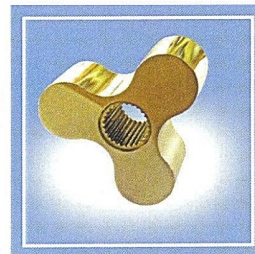
15 Easy access to seals

16 SEPARATELY BUILT BODY AND BEARING HOUSINGS
Eliminates risk of accidental media pollution



SHAFT SEAL

- Quick and Easy Mounting
- Easy Service & Quick Maintenance
- External Balance type Mech. Seal



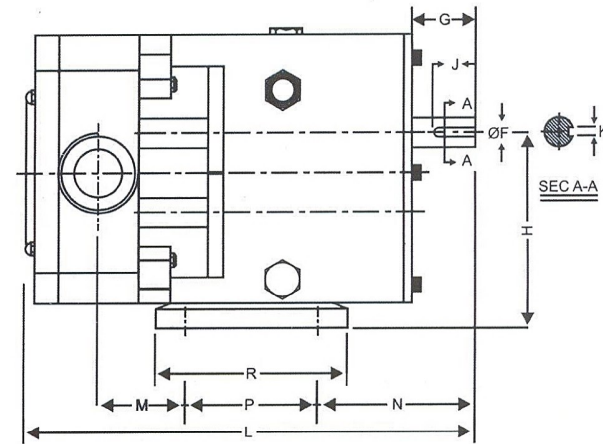
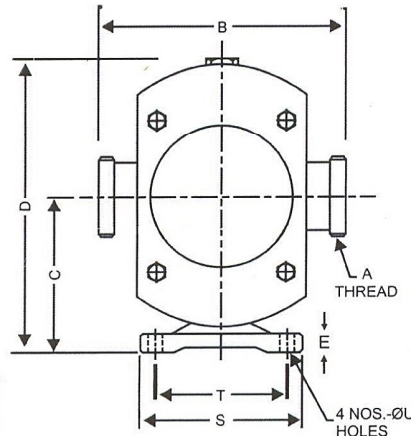
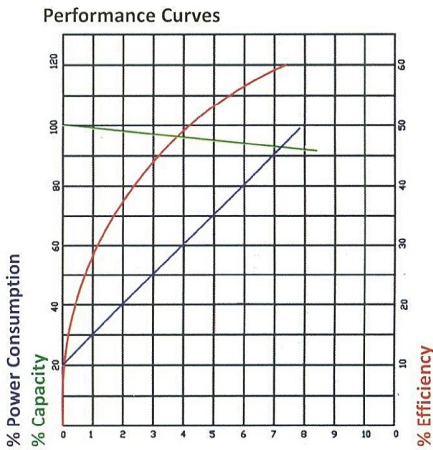
TRI-LOBE ROTOR

- Spline Fitting
- One Way Assembly
- Easy Service & Maintenance
- Quick and Easy Rotor Clearance Adjustment
- O-ring Sealed Tri-Lobe

CAPACITY CHART

Pump Model	Port Size Standard	Displacement @100rpm		Max. Speed (RPM)	Pressure (Kgf/cm ²)	Weight(kg)	
		LPM	US. GPM			Horizontal Porting	Vertical Porting
PLB-100S	1"	5	1.4	1000	7	15	16
PLB-100L	1"	8	2.25	1000	7	17	18
PLB-150S	1 1/2"	12	3.38	1000	7	28	30
PLB-150L	1 1/2"	18	4.78	1000	7	30	31
PLB-200S	2"	26	7.03	1000	7	52	55
PLB-200L	2"	38	10.15	1000	7	55	58
PLB-250S	2 1/2"	55	14.64	1000	7	104	110
PLB-250L	2 1/2"	79	20.87	1000	7	109	115
PLB-300S	3"	116	30.65	600	7	150	150
PLB-300L	3"	175	44.39	600	7	158	158
PLB-400S	4"	261	68.70	500	7	258	258
PLB-400L	4"	354	93.26	500	7	264	264

SR. NO.	PARTS	MOC
1	Pump Chamber	SS-316
2	Tri-Lobe-Rotor	SS-316
3	Top Cover	SS-316
4	Shaft	SS-316
5	Shaft Seal	Mech. Seal
6	Gear	EN-24
7	Casing	CI
8	Back Cover	CI
9	Bearing Spacer	CI
10	Bearing	SKF



DIMENSIONS

Model	A	B	C	D	E	F	G	H	J	K	L	M	N	P	R	S	T	U
PLB-100S/L	1"	140	90	175	11	16	37	113	30	5	270/278	43/49	124	70	140	100	80	12
PLB-150S/L	1 1/2"	180	115	220	12	22	45	145	35	6	327/338	50/70	138	100	152	125	100	12
PLB-200S/L	2"	216	137	270	18	28	58	175	45	8	445/467	83/88	176	125	180	154	125	14
PLB-250S/L	2 1/2"	280	163	315	18	38	75	211	63	10	455/473	93/103	163	150	200	184	150	14
PLB-300S/L	3	315	214	405	30	45	110	274	75	14	510/530	88/108	145	210	250	240	210	14
PLB-400S/L	4	370	230	435	30	48	110	300	75	14	600/620	100/123	172	230	272	240	200	16



PROFIK PUMPS PVT LTD

FACTORY ADDRESS:
 S.F.NO:208, DOOR NO:5, ANJUGAM NAGAR, CHINNAVEDAMPATTI, COIMBATORE-641 049. TAMILNADU, INDIA.
 MOBILE NUMBER: +91 9944935349 EMAIL ID: profikpumpssales@gmail.com; info@profikpumps.com; sales@profikpumps.com

OFFICE ADDRESS:
 49-ii, BALAMURUGAN NAGAR, GANAPATHY VILLAGE, MANIYAKAMPALAYAM, COIMBATORE- 641006. TAMILNADU, INDIA.
 MOBILE NUMBER: +91 9944935349 EMAIL ID: profikpumpssales@gmail.com; info@profikpumps.com; sales@profikpumps.com
 URL: www.profikpumps.com